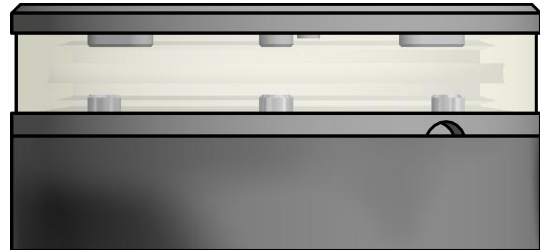


200-012 – 2NM 360° WHITE ANCHOR LIGHT

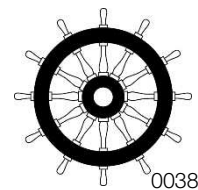
The LED light consists of a single array of LEDs that produces light in the specified angle.

The precision machined 6082 aluminium housing with a hard coated anodized surface makes the light a rugged and durable housing for the LEDs and electronics contained within, and the polished PMMA lens delivers a clear light with colour ranging that is well within the standard for maritime use.



Lastly all the interior is completely filled with a special potting resin making it water- and vibration proof before each light is subjected to final testing for no less than 16 hours of continuous operation bringing the total test period beyond 24 hours.

Lopolight products are covered by a 5-year limited warranty. This warranty covers direct exchange of the malfunctioning product and is given under the assumption that the lights have been operated within the specifications of lights.



Technical specifications

Vessel size: Up to 50m (Up to 164')

Visibility: >2 nautical miles

Intensity: >5,4 cd

Mounting: Horizontal, see the K-Lock system sheet for options.

Operating voltage: 10 - 32 V DC

Number of LEDs: 28

Light colour: White

Operating temperature: -25°C to +55°C

IP Rating: IP68

Power consumption; 2,6 Watt; Current @ 12 VDC: 0,22A - Current @ 24 VDC: 0,11A

Connection: 1 cable consisting of 2 x 0,5 mm² leads, a screen and insulation.

- Red lead = Power
- Black lead = GND

Certification: The product is certified by Lloyds (LR) and certificates can be found on www.lopolight.com under certificates.

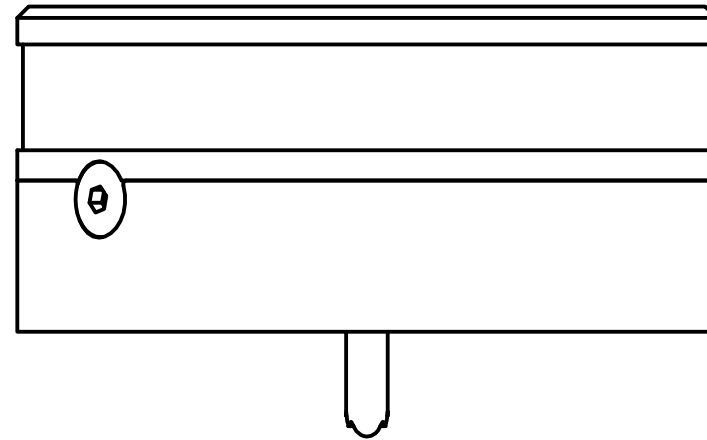
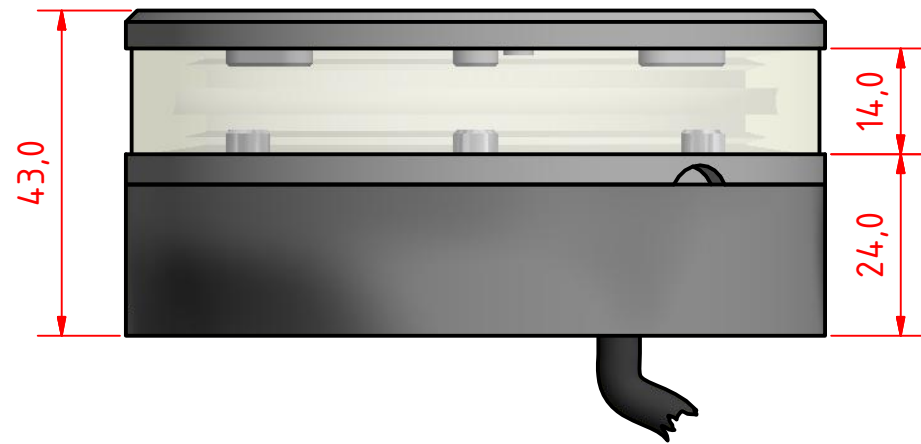
Approvals: COLREG72 / EN14744 / IEC 60945 / USCG / UL1104

Dimensions: See drawing

Weight: 0,31kg

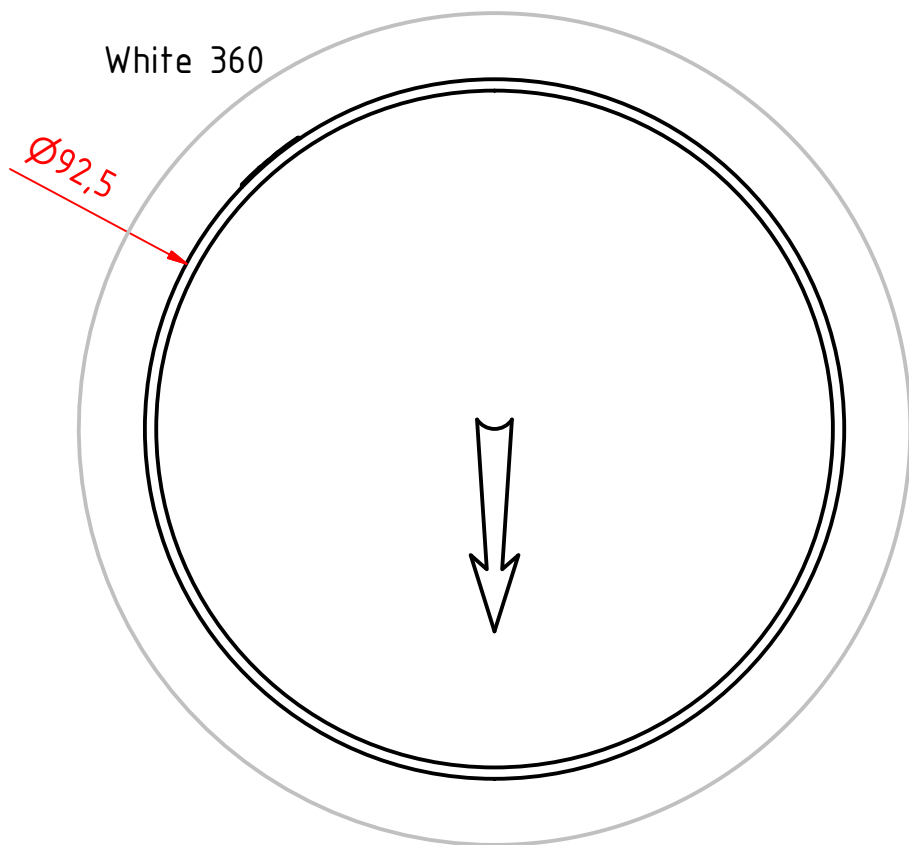
Included in the package:

- 1 Navigation light, pre-cabled with 0,75m marine grade cable
- 1 Mounting adaptor
- Installation instructions

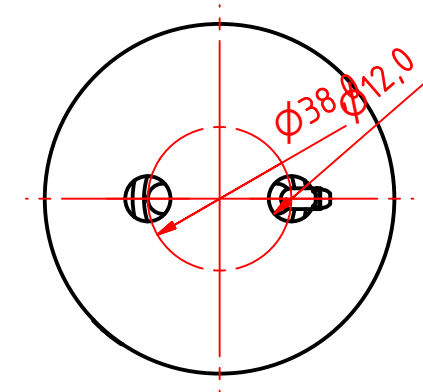


Note:

The PE Plastic base is intended for fitting on site and can be either drilled for mounting screws from above or drilled and tapped from below. 6mm machine screws with nuts and washers are recommended for secure mounting.



(1 : 2)



200-012, 360° White - Anchor, PE Base.

DRAWING NO.: 200-012AG	REV. NO.: 0	SIZE: A3	DRAWN BY: Sergio
SCALE: 1:1	TOLERANCES: DS/ISO 2768-f	REVIEWED BY:	CREATION DATE: 29/12/2016

MATERIAL DESCRIPTION:
Alu EN 6082, Arylic, PE. (20µ) Silver anodized according to EN ISO 7599 (50µ) Black anodized according to MIL-A 8625F

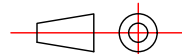
This Drawing, and the information within, is the property of Lopolight ApS and may not be used in any form without express permission there from. Lopolight reserves the right to change this drawing and assumes no liability for the information communicated herein. Use of dimensions and other information in this drawing is at the users own risk.

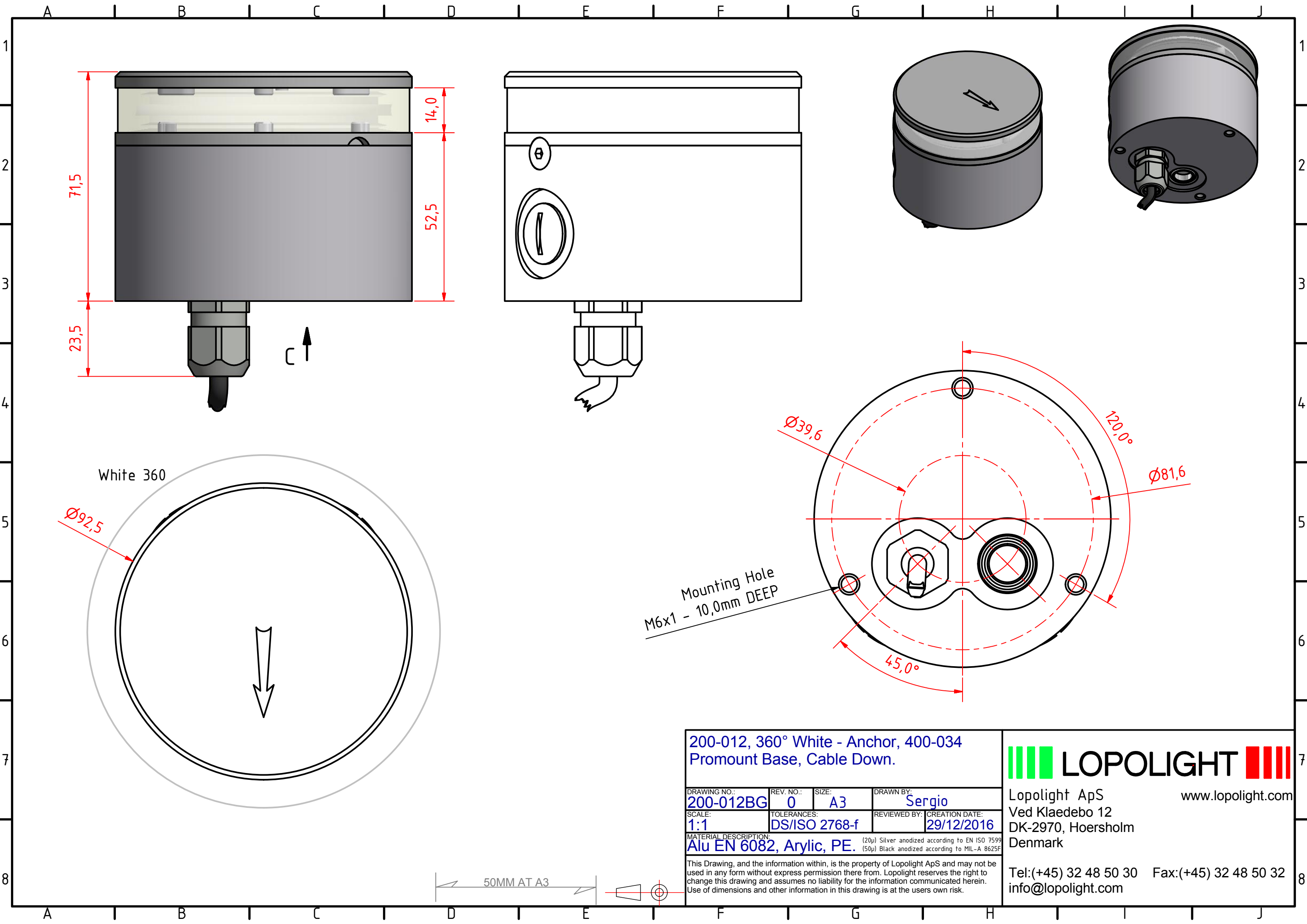


Lopolight ApS
Ved Klaedebo 12
DK-2970, Hoersholm
Denmark

Tel:(+45) 32 48 50 30 Fax:(+45) 32 48 50 32
info@lopolight.com

50MM AT A3





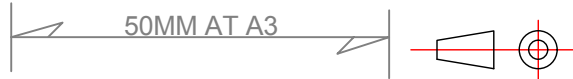
200-012, 360° White - Anchor, 400-034
Promount Base, Cable Down.

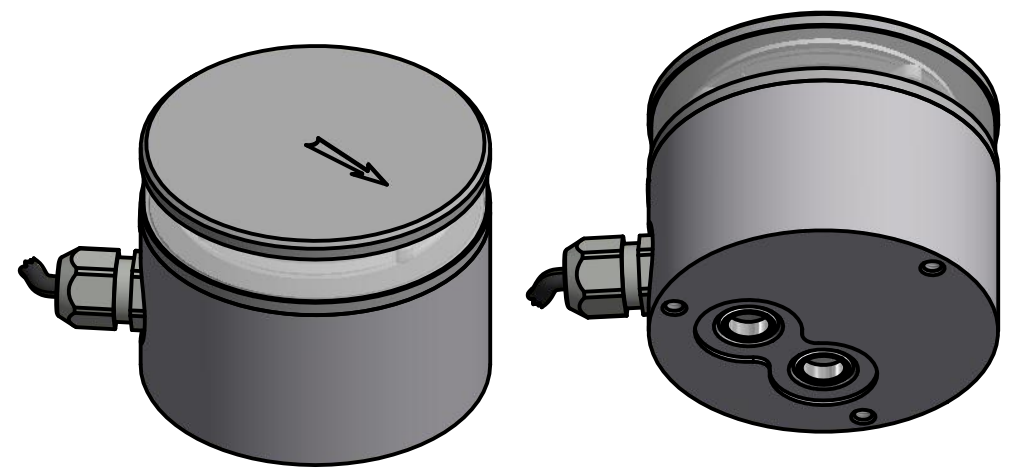
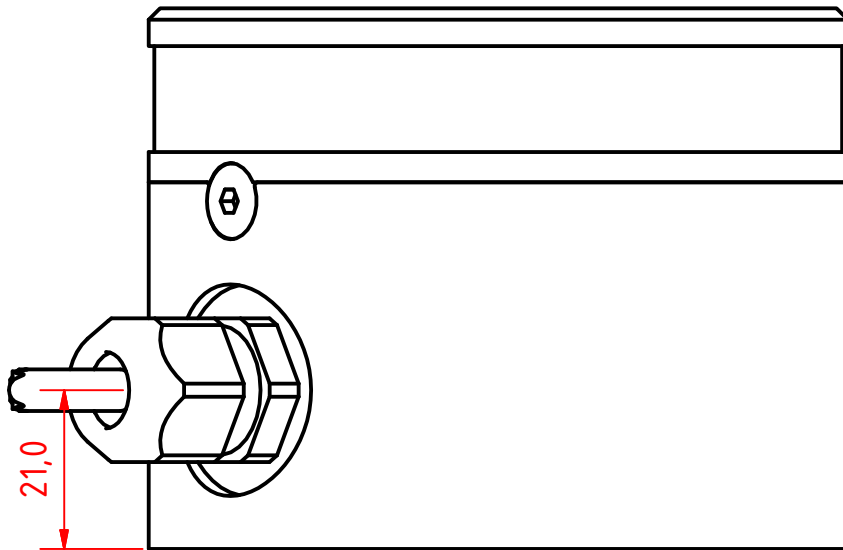
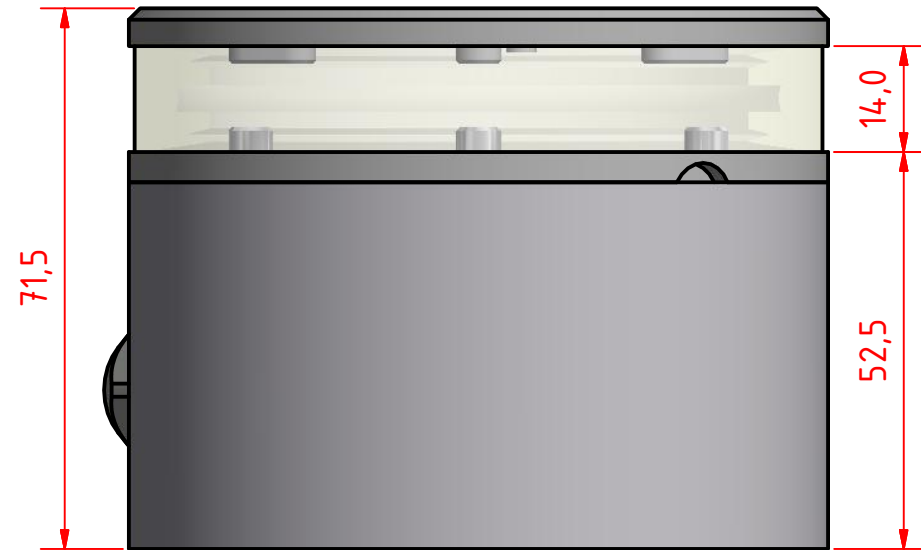
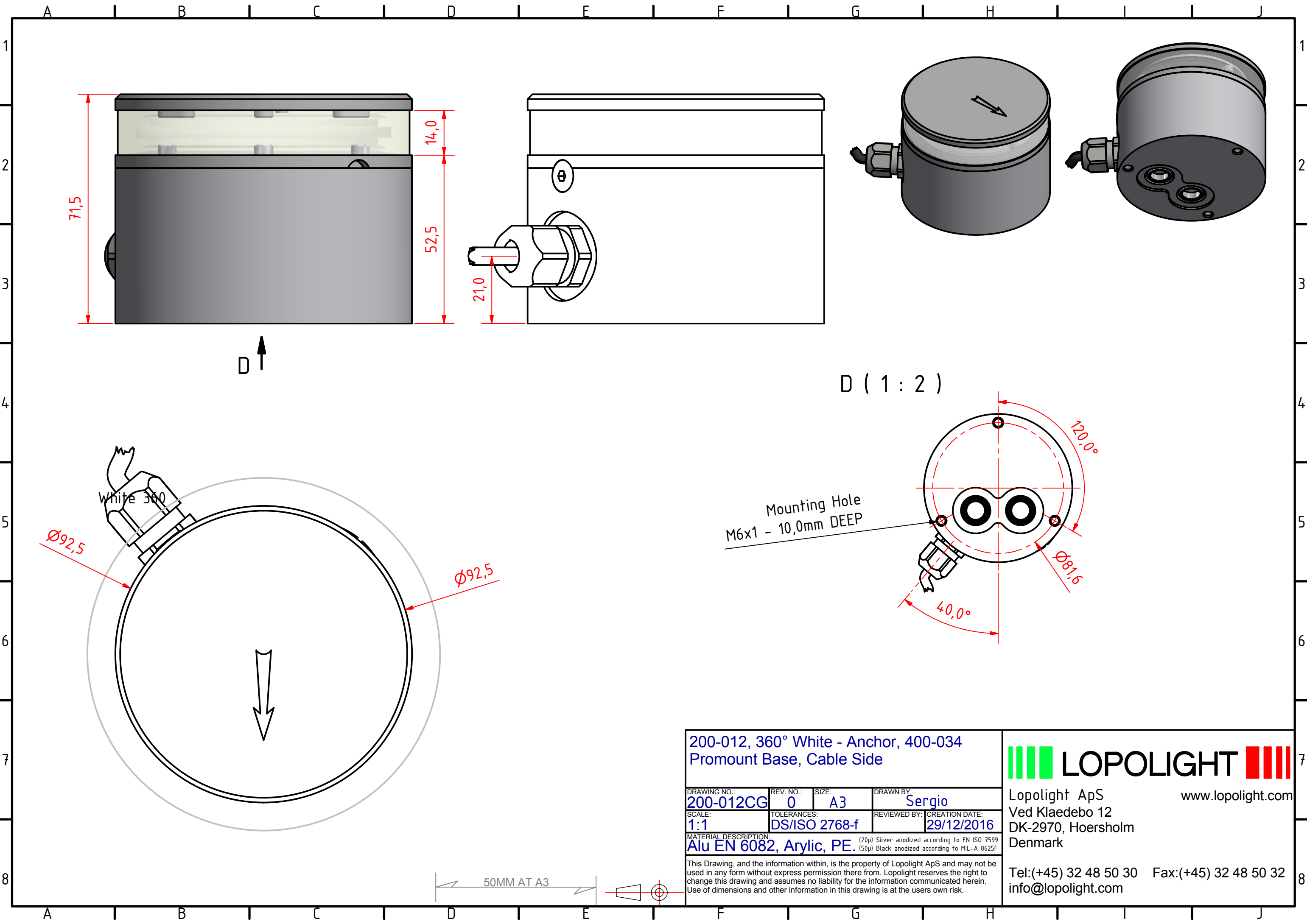
DRAWING NO.: 200-012BG	REV. NO.: 0	SIZE: A3	DRAWN BY: Sergio
SCALE: 1:1	TOLERANCES: DS/ISO 2768-f	REVIEWED BY:	CREATION DATE: 29/12/2016

MATERIAL DESCRIPTION:
Alu EN 6082, Arylic, PE. (20µ) Silver anodized according to EN ISO 7599
(50µ) Black anodized according to MIL-A 8625F

This Drawing, and the information within, is the property of Lopolight ApS and may not be used in any form without express permission there from. Lopolight reserves the right to change this drawing and assumes no liability for the information communicated herein. Use of dimensions and other information in this drawing is at the users own risk.

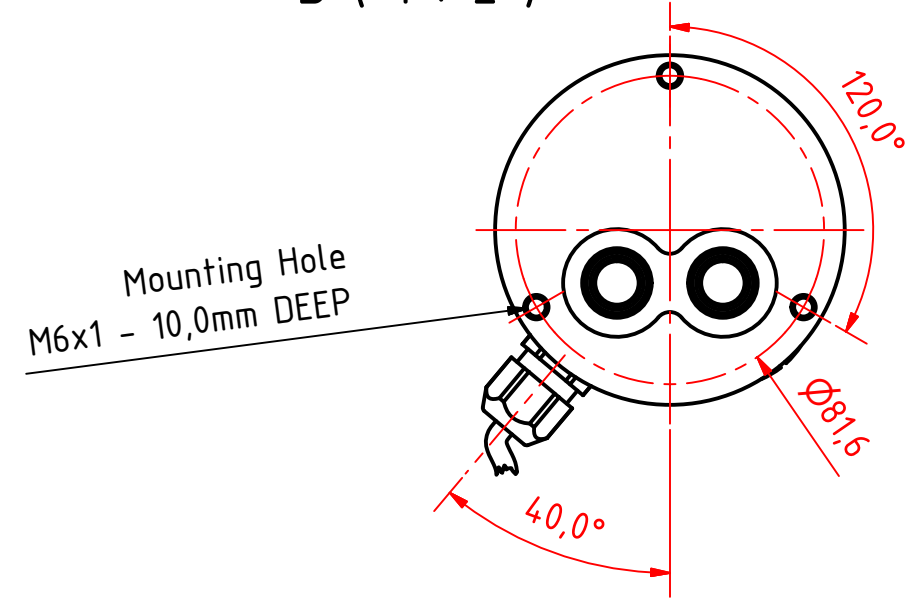
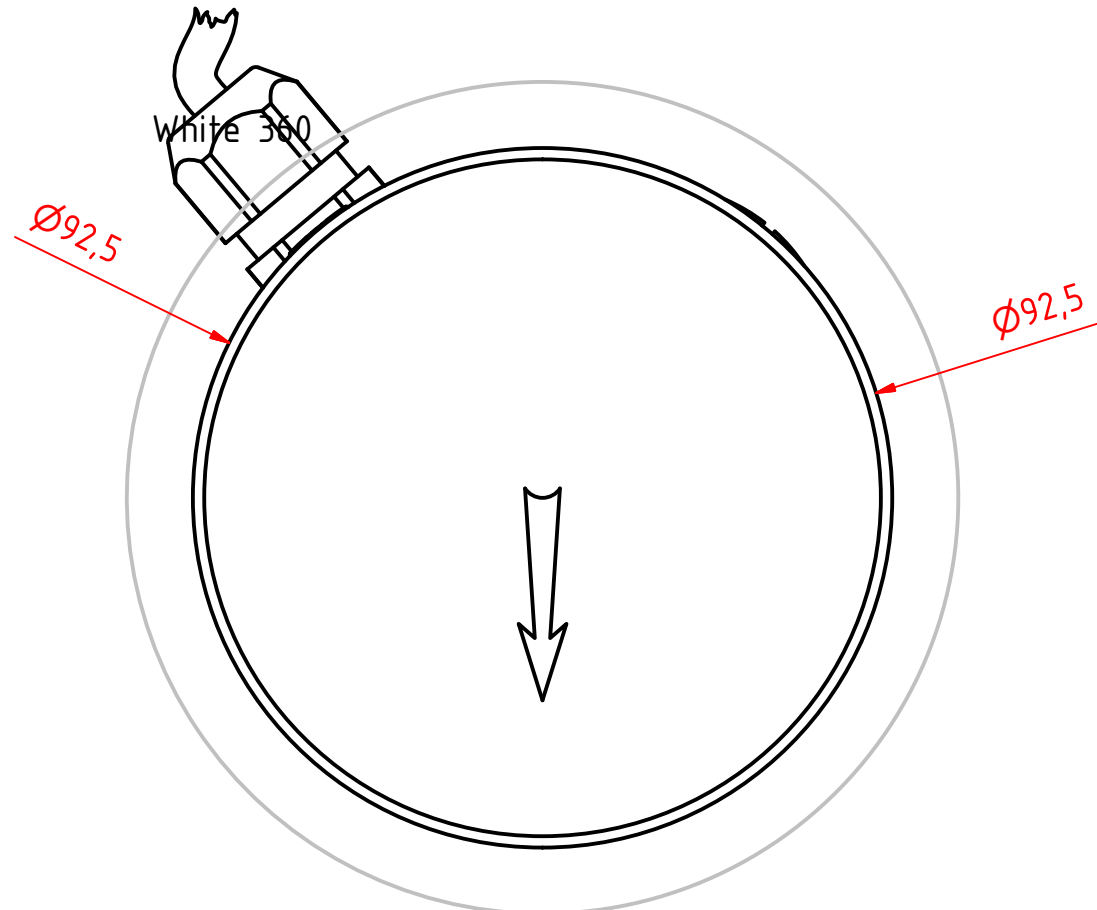
LOPOLIGHT
 Lopolight ApS www.lopolight.com
 Ved Klaedebo 12
 DK-2970, Hoersholm
 Denmark
 Tel:(+45) 32 48 50 30 Fax:(+45) 32 48 50 32
 info@lopolight.com





D ↑

D (1 : 2)

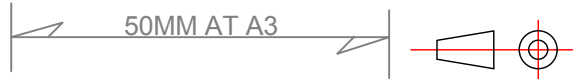


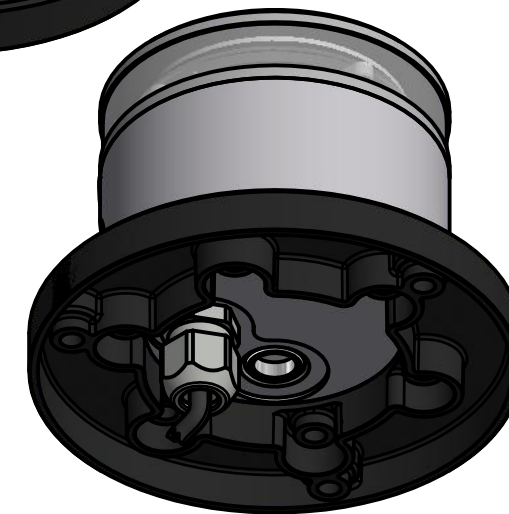
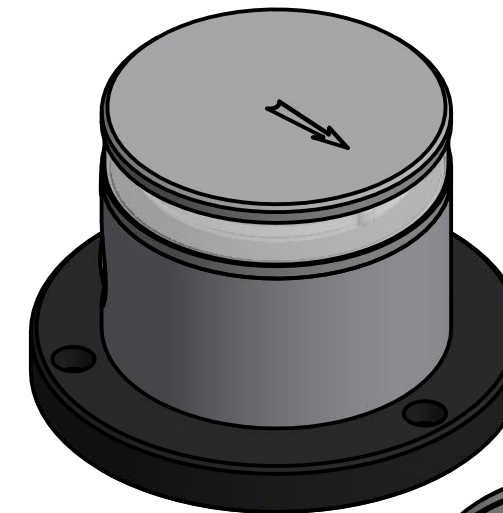
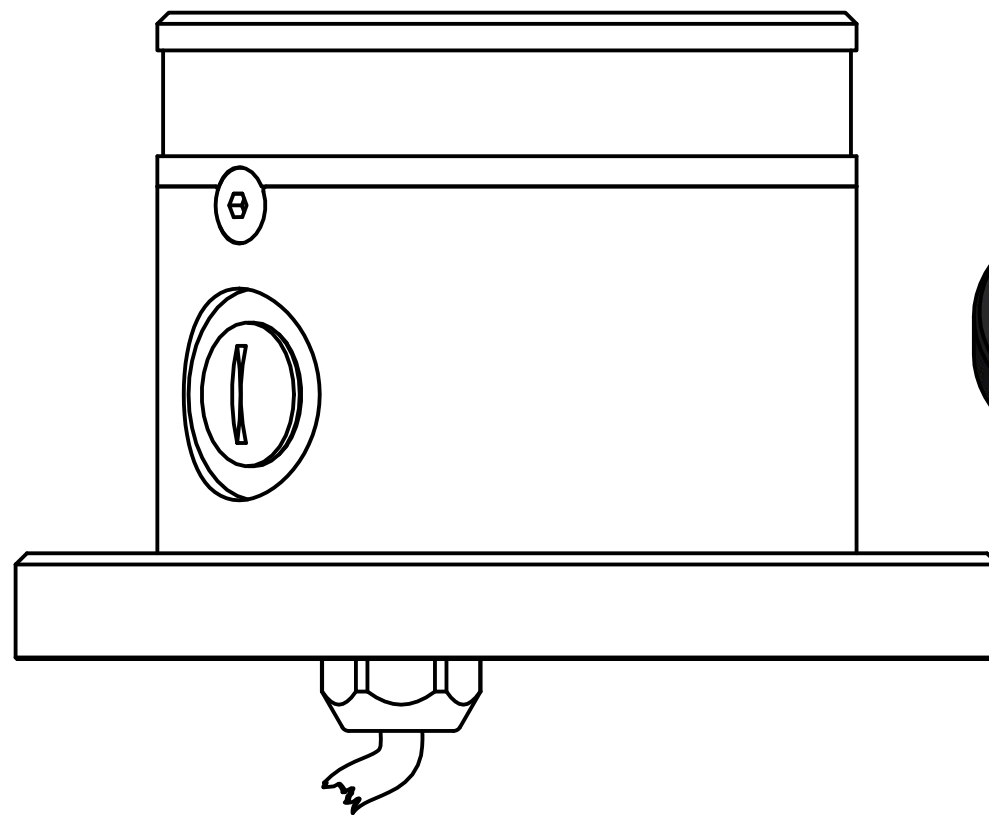
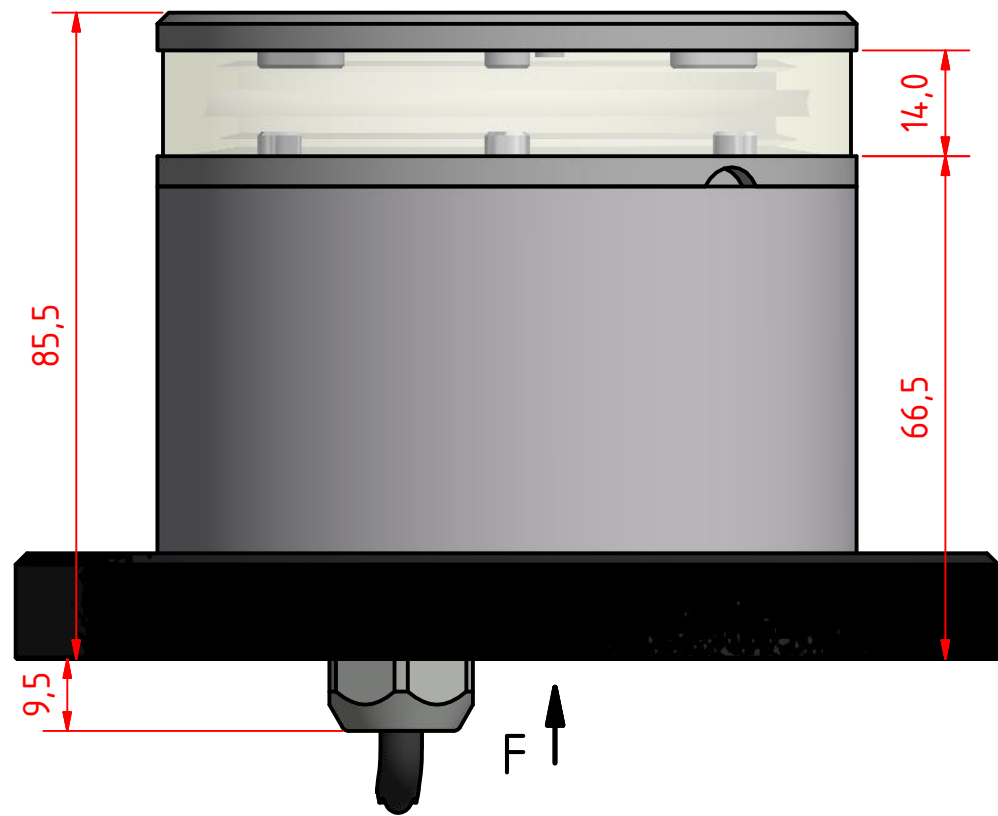
200-012, 360° White - Anchor, 400-034
Promount Base, Cable Side

DRAWING NO.: 200-012CG	REV. NO.: 0	SIZE: A3	DRAWN BY: Sergio
SCALE: 1:1	TOLERANCES: DS/ISO 2768-f	REVIEWED BY:	CREATION DATE: 29/12/2016
MATERIAL DESCRIPTION: Alu EN 6082, Arylic, PE. (20µ) Silver anodized according to EN ISO 7599 (50µ) Black anodized according to MIL-A 8625F			

This Drawing, and the information within, is the property of Lopelight ApS and may not be used in any form without express permission there from. Lopelight reserves the right to change this drawing and assumes no liability for the information communicated herein. Use of dimensions and other information in this drawing is at the users own risk.

LOPOLIGHT
Lopelight ApS
Ved Klaedebo 12
DK-2970, Hoersholm
Denmark
www.lopolight.com
Tel:(+45) 32 48 50 30 Fax:(+45) 32 48 50 32
info@lopolight.com





White 360

Mounting Hole
Ø6,1 THRU

Ø92,5

F (1 : 2)

Mounting Hole
Ø6,1 THRU

Ø111,2

14,0

14,0

120,0°

200-012, 360° White - Anchor, 400-034
Promount Base, With 400-404 PE Base
Plate, Cable Down.

DRAWING NO.:	REV. NO.:	SIZE:	DRAWN BY:
200-012DG	0	A3	Sergio
SCALE:	TOLERANCES:	REVIEWED BY:	CREATION DATE:
1:1	DS/ISO 2768-f		29/12/2016

MATERIAL DESCRIPTION:
Alu EN 6082, Arylic, PE. (20µ) Silver anodized according to EN ISO 7599
(50µ) Black anodized according to MIL-A 8625F

This Drawing, and the information within, is the property of Lopolight ApS and may not be used in any form without express permission there from. Lopolight reserves the right to change this drawing and assumes no liability for the information communicated herein. Use of dimensions and other information in this drawing is at the users own risk.

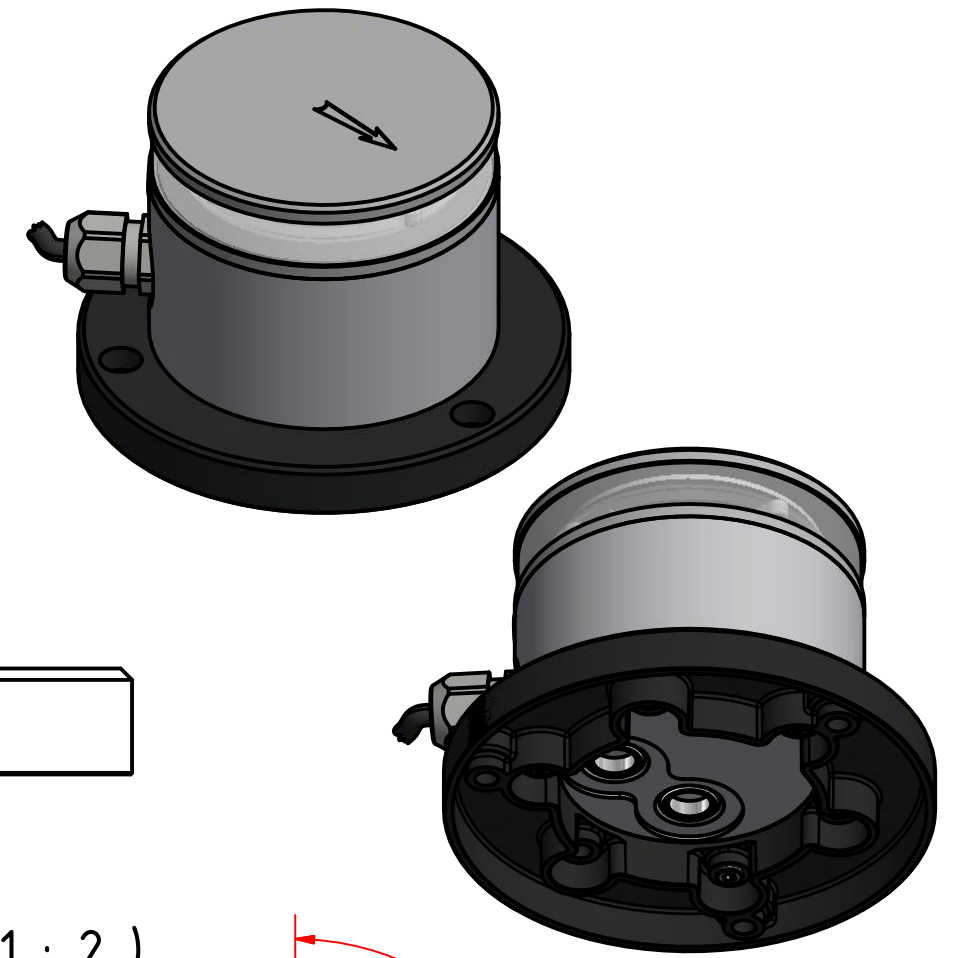
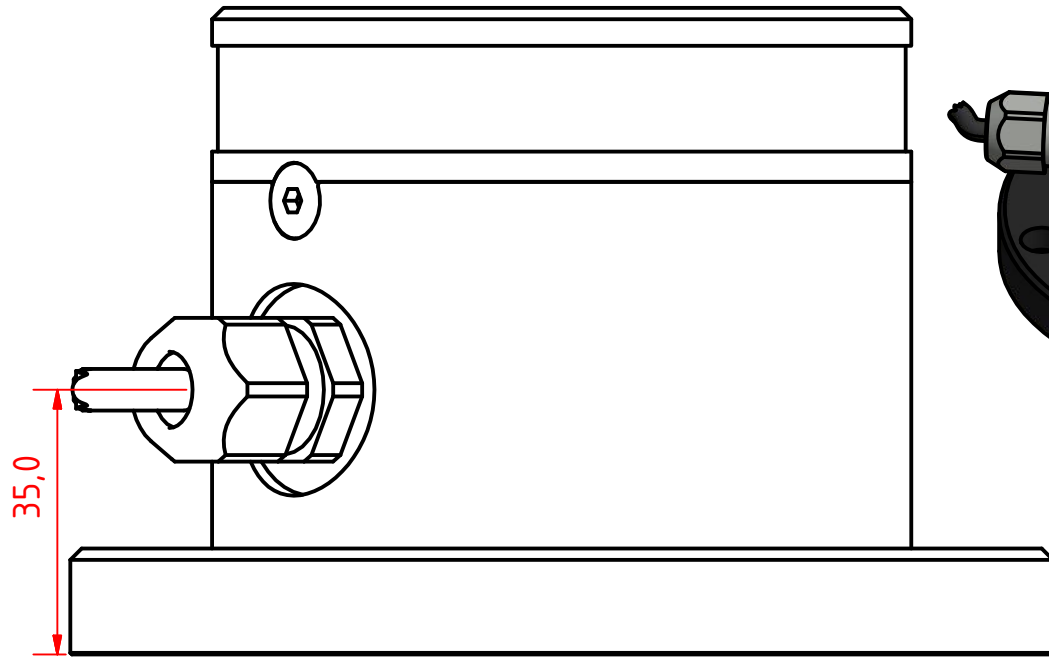
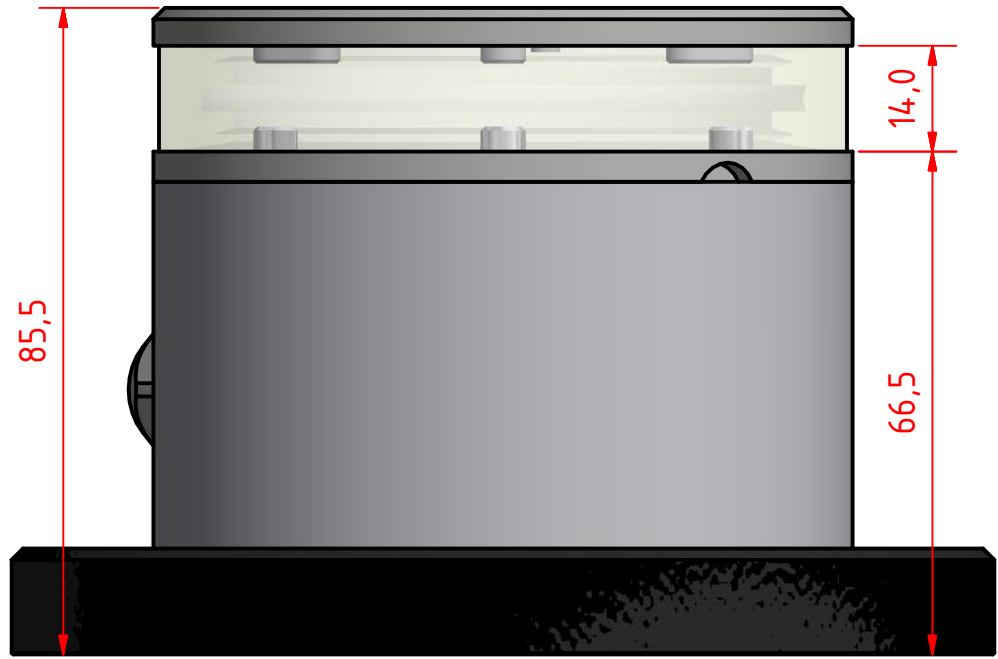
LOPOLIGHT

Lopolight ApS
Ved Klaedebo 12
DK-2970, Hoersholm
Denmark

www.lopolight.com

Tel:(+45) 32 48 50 30 Fax:(+45) 32 48 50 32
info@lopolight.com

50MM AT A3



White 360

G ↑

Mounting Hole
Ø6,1 THRU

Ø92,5

G (1 : 2)

Mounting Hole
Ø6,1 THRU

120,0°

Ø111,2

40,0°

200-012. 360° White - Anchor, 400-034
Promount Base, With 400-404 PE Base
Plate, Cable Side

DRAWING NO.:	REV. NO.:	SIZE:	DRAWN BY:
200- 012EG	0	A3	Sergio
SCALE:	TOLERANCES:	REVIEWED BY:	CREATION DATE:
1:1	DS/ISO 2768-f		29/12/2016

MATERIAL DESCRIPTION:
Alu EN 6082, Arylic, PE. (20µ) Silver anodized according to EN ISO 7599
(50µ) Black anodized according to MIL-A 8625F

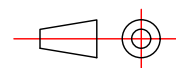
This Drawing, and the information within, is the property of Lopolight ApS and may not be used in any form without express permission there from. Lopolight reserves the right to change this drawing and assumes no liability for the information communicated herein. Use of dimensions and other information in this drawing is at the users own risk.

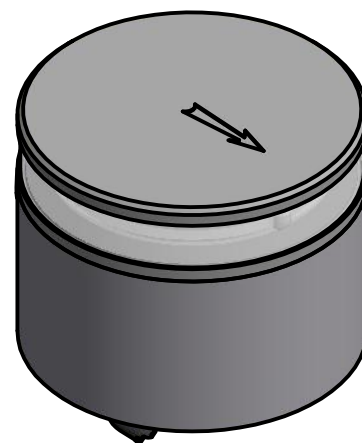
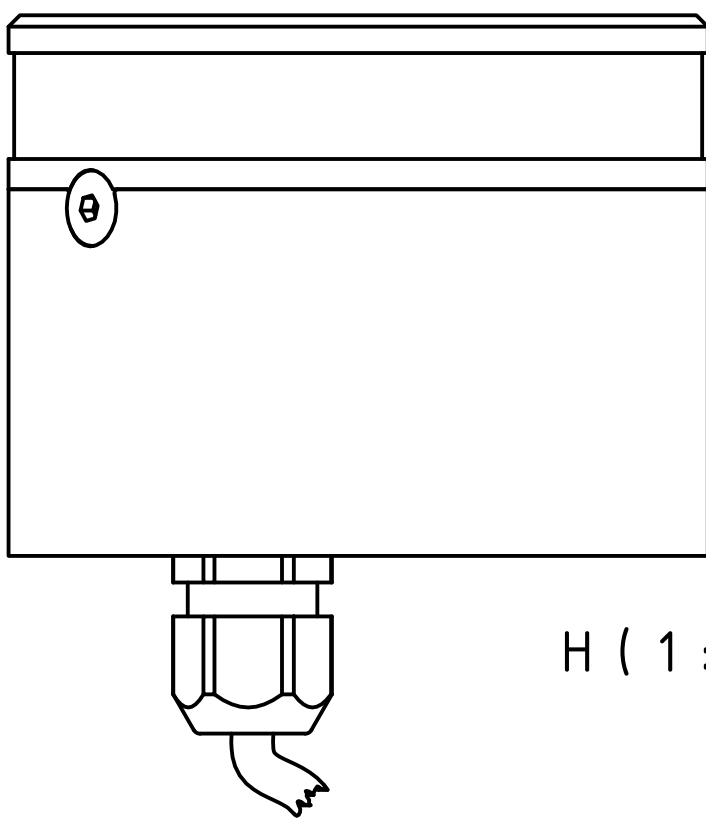
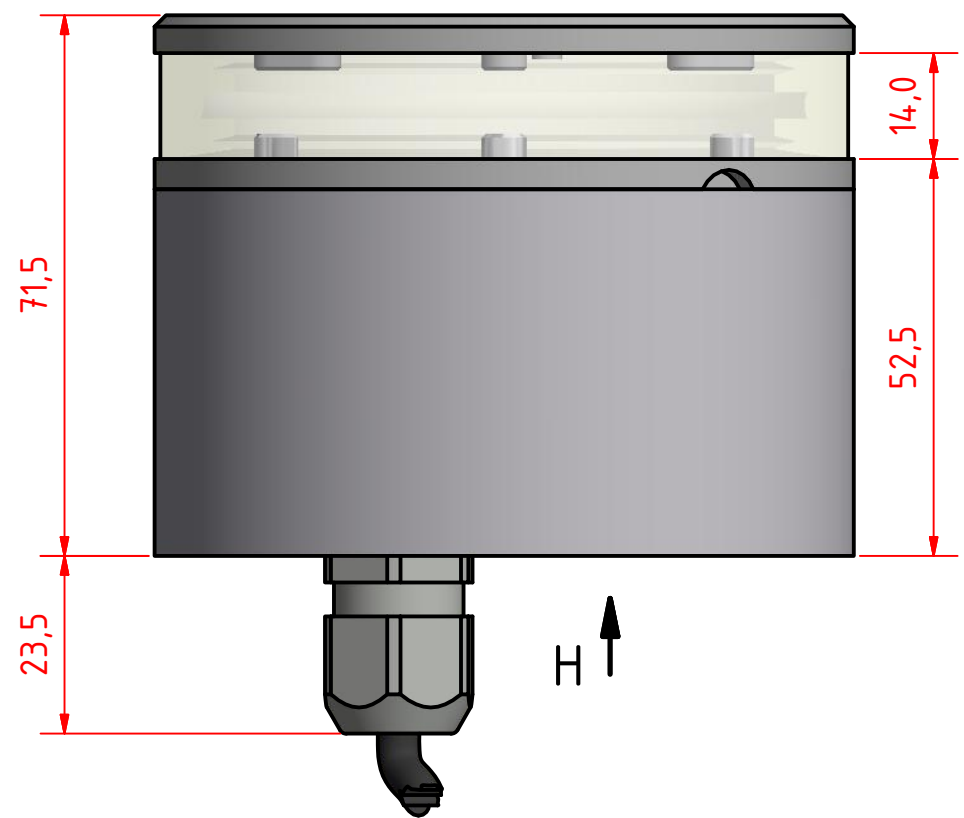


Lopolight ApS
Ved Klaedebo 12
DK-2970, Hoersholm
Denmark

Tel:(+45) 32 48 50 30 Fax:(+45) 32 48 50 32
info@lopolight.com

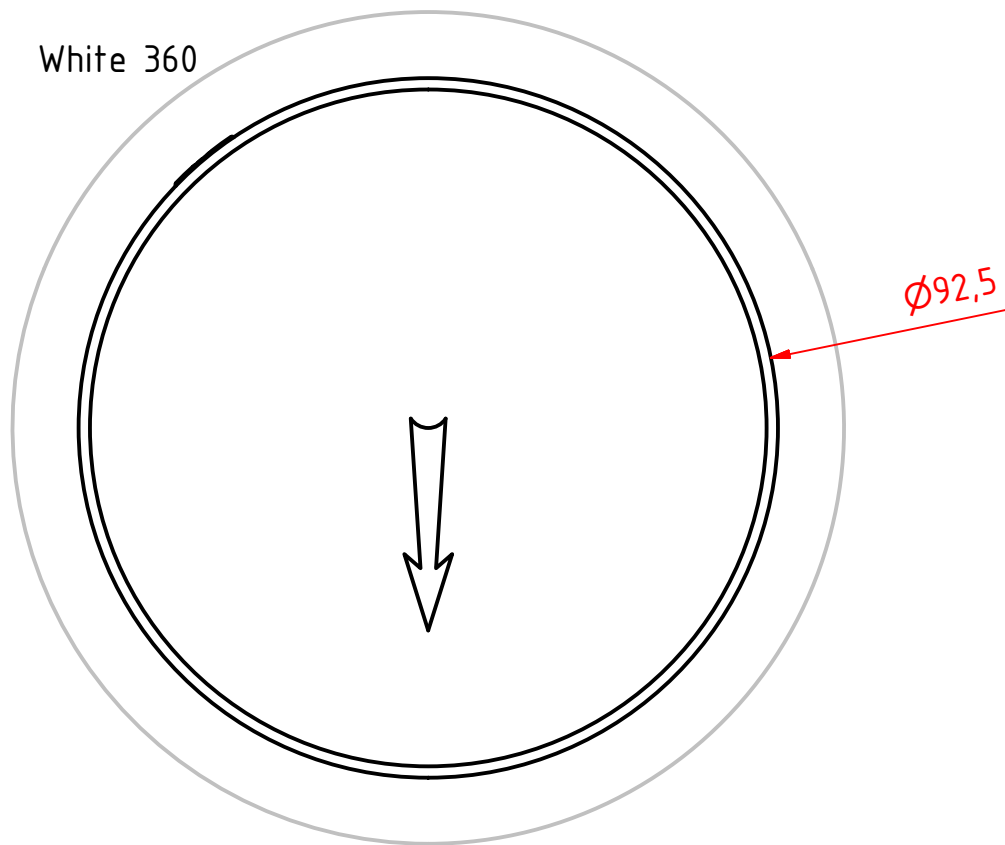
50MM AT A3



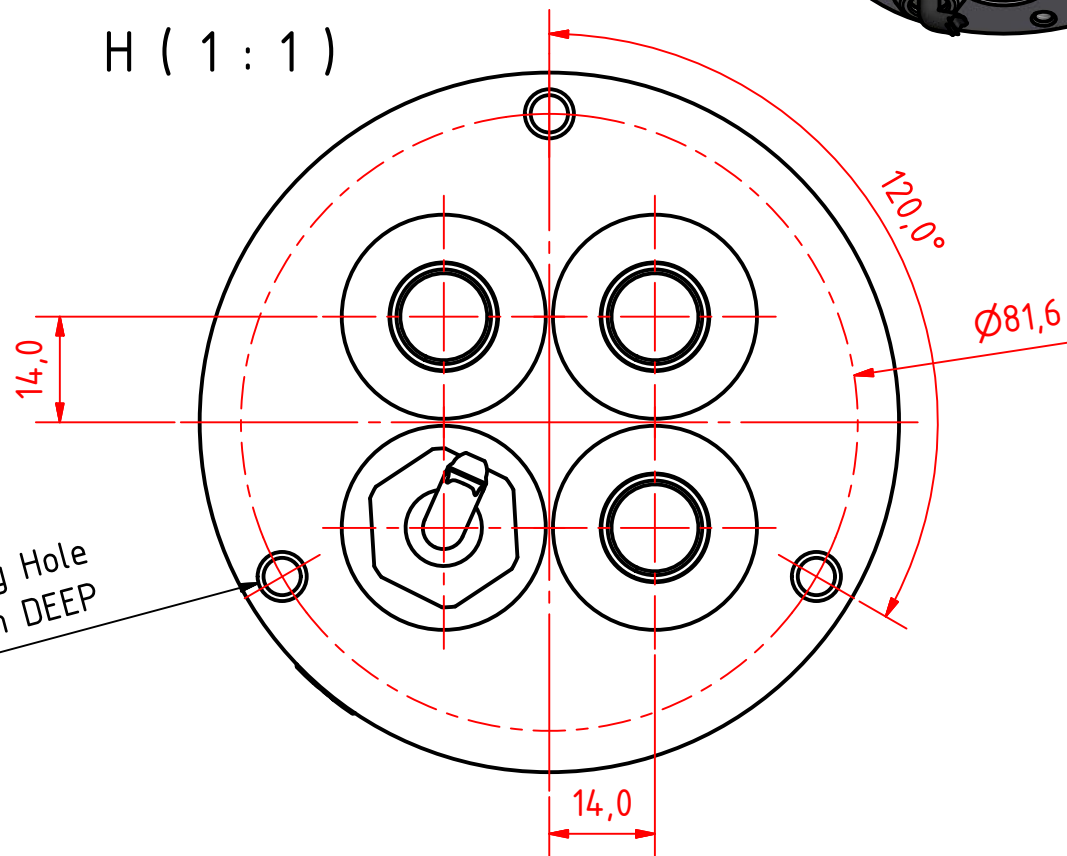


H (1 : 1)

White 360



Mounting Hole
M6x1 - 8,0mm DEEP



200-012 360° White - Anchor, 400-035
Promount Base, Cable Down.

DRAWING NO.:	REV. NO.:	SIZE:	DRAWN BY:
200-012FG	0	A3	Sergio
SCALE:	TOLERANCES:	REVIEWED BY:	CREATION DATE:
1:1	DS/ISO 2768-f		29/12/2016

MATERIAL DESCRIPTION:
Alu EN 6082, Arylic.

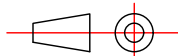
This Drawing, and the information within, is the property of Lopolight ApS and may not be used in any form without express permission there from. Lopolight reserves the right to change this drawing and assumes no liability for the information communicated herein. Use of dimensions and other information in this drawing is at the users own risk.

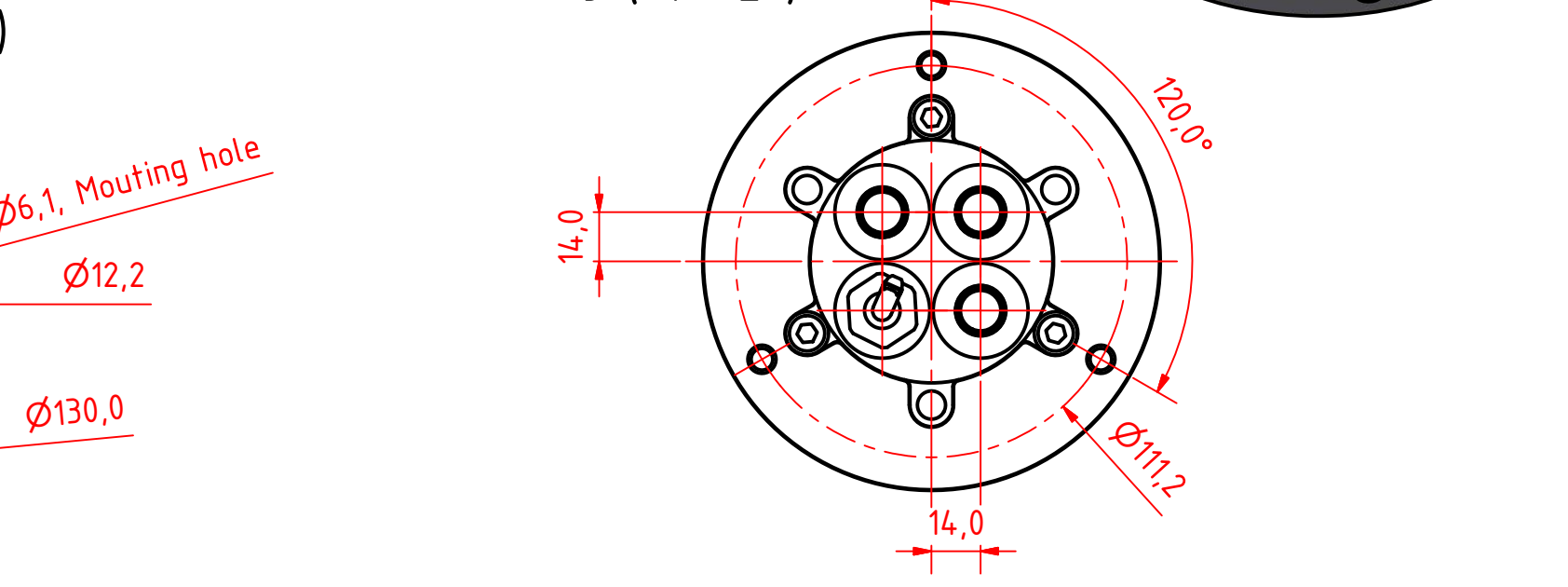
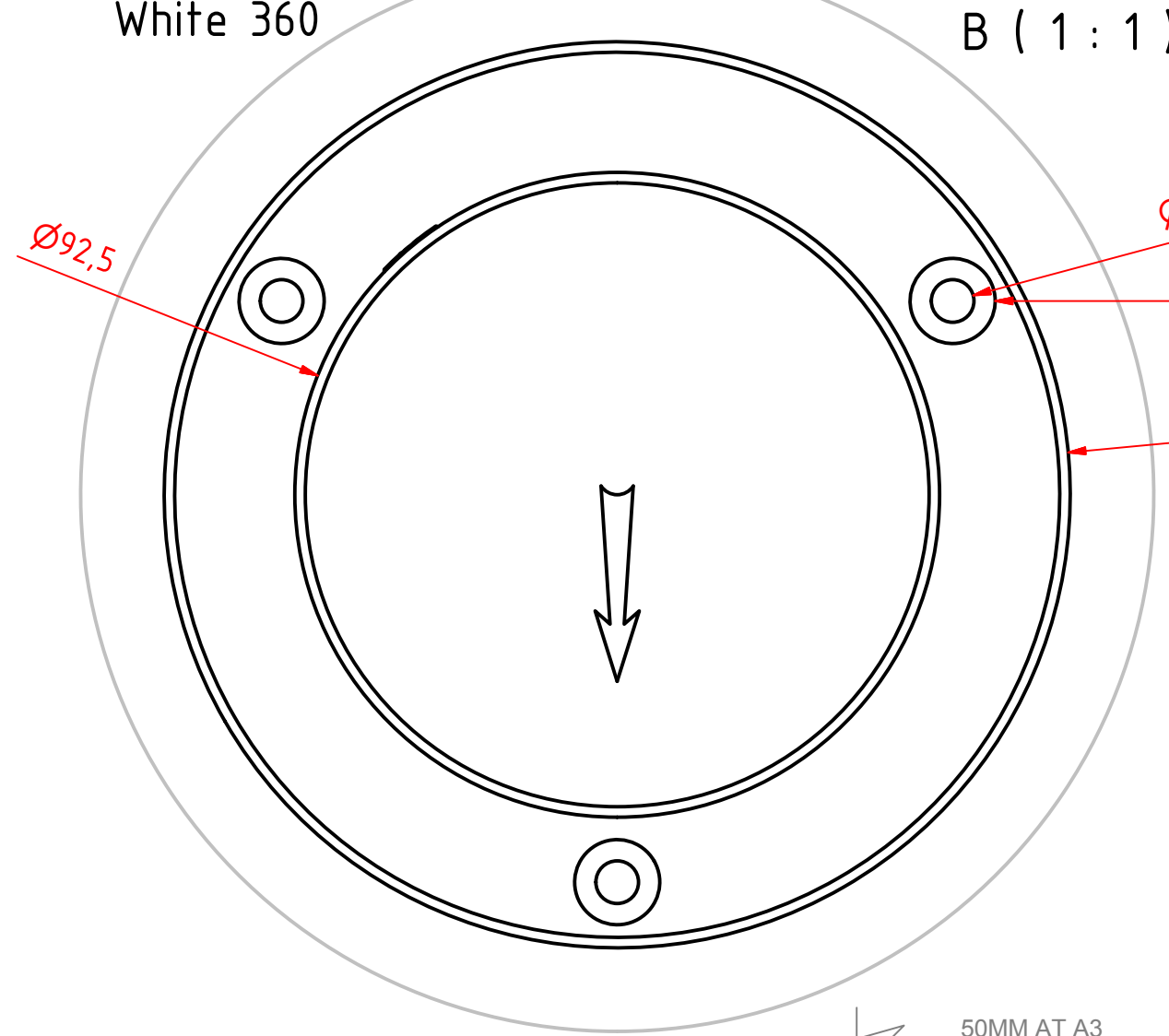
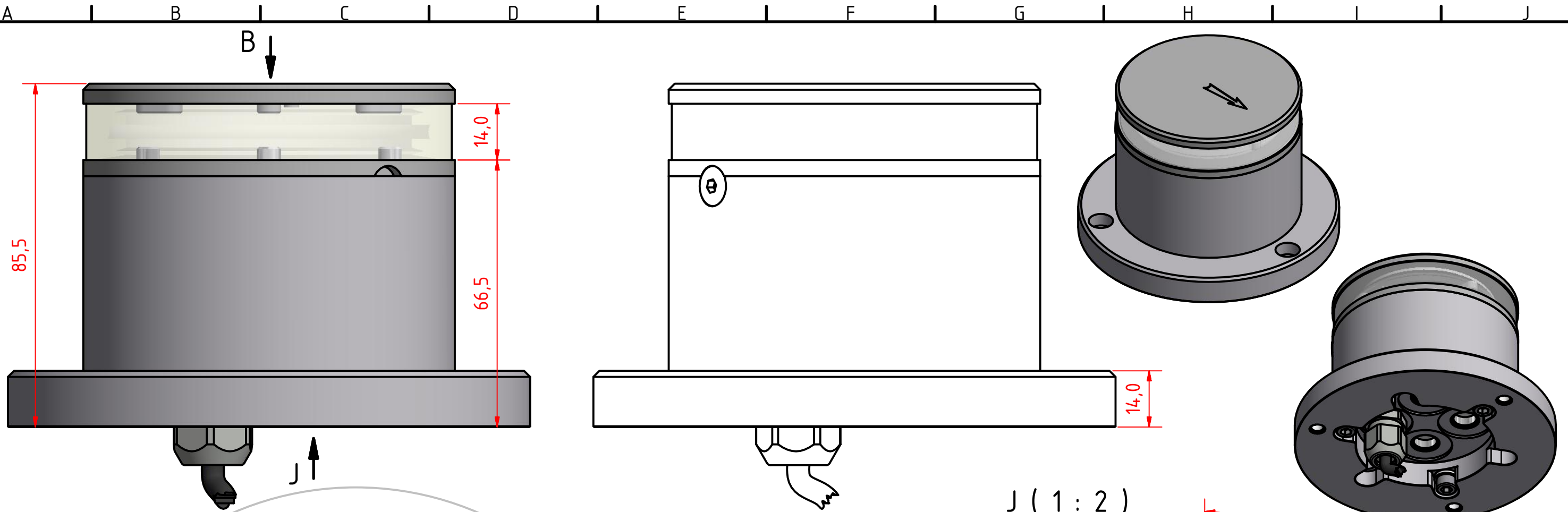


Lopolight ApS
Ved Klaedebo 12
DK-2970, Hoersholm
Denmark

Tel:(+45) 32 48 50 30 Fax:(+45) 32 48 50 32
info@lopolight.com

50MM AT A3





White 360

B (1 : 1)

J (1 : 2)

Ø6,1. Mounting hole

Ø12,2

Ø130,0

Ø92,5

14,0

14,0

120,0°

Ø111,2

200-012 360° White - Anchor, 400-035
Promount Base, With 400-401 Base Plate,
Cable Down.

DRAWING NO.: 200-012GG	REV. NO.: 0	SIZE: A3	DRAWN BY: Sergio
SCALE: 1:1	TOLERANCES: DS/ISO 2768-f	REVIEWED BY:	CREATION DATE: 29/12/2016

MATERIAL DESCRIPTION:
Alu EN 6082, Arylic.

This Drawing, and the information within, is the property of Lopolight ApS and may not be used in any form without express permission there from. Lopolight reserves the right to change this drawing and assumes no liability for the information communicated herein. Use of dimensions and other information in this drawing is at the users own risk.

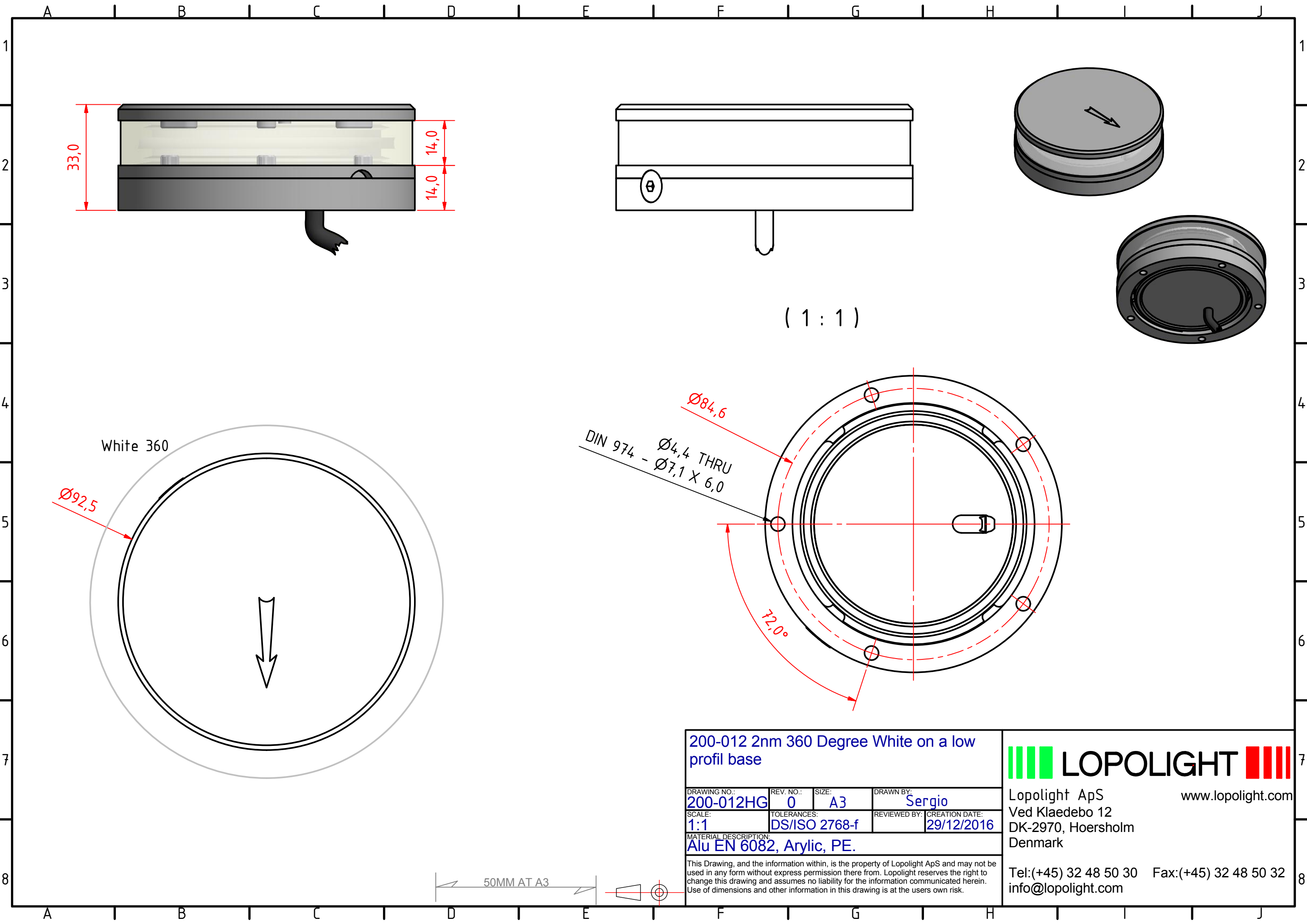


Lopolight ApS
Ved Klaedebo 12
DK-2970, Hoersholm
Denmark

Tel:(+45) 32 48 50 30 Fax:(+45) 32 48 50 32
info@lopolight.com

www.lopolight.com

50MM AT A3



White 360

(1:1)

200-012 2nm 360 Degree White on a low profil base

DRAWING NO.: 200-012HG	REV. NO.: 0	SIZE: A3	DRAWN BY: Sergio
SCALE: 1:1	TOLERANCES: DS/ISO 2768-f	REVIEWED BY:	CREATION DATE: 29/12/2016

MATERIAL DESCRIPTION:
Alu EN 6082, Arylic, PE.

This Drawing, and the information within, is the property of Lopolight ApS and may not be used in any form without express permission there from. Lopolight reserves the right to change this drawing and assumes no liability for the information communicated herein. Use of dimensions and other information in this drawing is at the users own risk.



Lopolight ApS
Ved Klaedebo 12
DK-2970, Hoersholm
Denmark

Tel:(+45) 32 48 50 30 Fax:(+45) 32 48 50 32
info@lopolight.com

50MM AT A3

